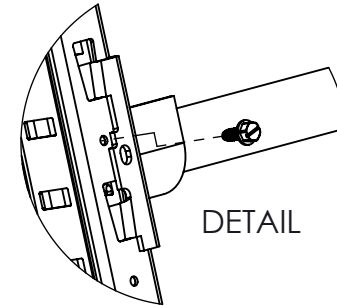


ITEM NO.	PART NUMBER	DESCRIPTION	Starter QTY. 99/123	Add on QTY. 99/123
1	5003-hh	H-POST	4	2
2	HRR36BASE	BASE CHANNEL WELDMENT	2	1
3	5029-RRww	H-POST HORIZONTAL BEAM	3/4	3/4
4	HRRhhGUS	TOP GUSSET	4	2
5	HRRhhSWA1	BOTTOM BRACE	2	1
6	HRRhhSWA2	DIAGONAL BOTTOM BRACE	2	1
7	HRRhhSWA3	MID BOTTOM BRACE	2	1
8	HRRhhSWA4	DIAGONAL MID BRACE	2	1
9	HRRhhSWA5	UPPER BRACE	2	1
10	HRRhhSWA6	UPPER DIAGONAL BRACE	2	1
11	HRR-SWA7	TOP BRACE	2	1
12	HRR-ASB-L	AXLE SUPPORT BRACKET-LEFT	3 / 4	3 / 4
13	HRR-ASB-R	AXLE SUPPORT BRACKET-RIGHT	3 / 4	3 / 4
14	HRR-AXLE-ww	Axle for ww" Rack	3 / 4	3 / 4
15	50101A	1/4-20x2 HEX HEAD BOLT GRADE 5	4	2
16	N111	1/4-20 KEP NUT	32	16
17	5045	#14X5/8 HEX WASHER HEAD SMS TYPE B ZINC PLATED	12 / 14	6 / 7
18	MS101	1/4-20X 3/4 PAN HEAD SCREW	28	14



DETAIL

UNIT PART NUMBERS

HRR363699-3S
HRR483699-3S
HRR3636123-4S
HRR4836123-4S
HRR363699-3A
HRR483699-3A
HRR3636123-4A
HRR4836123-4A

TOLERANCES UNLESS OTHERWISE SPECIFIED

INCHES
XX. ± .010
XXX. ± .005

FRACTIONAL
X/X. ± 1/64

ANGULAR
∠ ± 1/2°

UNLESS OTHERWISE SPECIFIED ALL DIMENSIONS ARE IN INCHES. METRIC DIMENSIONS WILL BE WITHIN [XX]

2823 W. ORANGE AVE.
APOPKA, FLORIDA 32703

Hallowell

www.Hallowell-List.com

Tel (866) 566-0500
Fax (407) 464-3610

DRAWN BY	DATE	DESCRIPTION	SCALE	SHEET	PART NO.	DRAWING NO.	REV.
ROW	12/18/14						
CHECKED BY	DATE						
APPROVED BY	DATE						
			1 OF 3	SEE TABLE	SA1689		

REEL RACK ASSEMBLY INSTRUCTION

THIS DRAWING AND THE INFORMATION ON IT IS THE CONFIDENTIAL PROPERTY OF HALLOWELL, AND SHALL NOT BE COPIED OR DISCLOSED TO OTHERS WITHOUT WRITTEN PERMISSION. ONLY HALLOWELL RESERVES THE RIGHT TO ALTER ANY DESIGN. ANY UNAUTHORIZED MODIFICATIONS RELEASES HALLOWELL FROM ALL LIABILITIES.

TOP HOLE ON POST

ASSEMBLE GUSSETS TO POSTS
2 GUSSETS, 1 ON INSIDE AND
1 ON THE OUT OF THE FRAME

INSERT POST ONTO
FOOT PLATE AND
BOLT TOGETHER

STEP 1

SMALL END OF KEY SLOT MUST
FACE DOWN ON BOTH POST

24th HOLE
FROM BOTTOM

20th HOLE
FROM BOTTOM

14th HOLE
FROM BOTTOM

23th HOLE
FROM BOTTOM

19th HOLE
FROM BOTTOM

13th HOLE
FROM BOTTOM

ALL DIAGONAL BRACES ON INSIDE OF FRAME

ALL HORIZONTAL BRACES ON OUTSIDE OF
FRAME

4th HOLE
FROM BOTTOM

STEP 2

BRACE PLACEMENT

FOR 8' TALL RACK

ITEM NO.	LENGTH
1	98 3/4
4	17 1/8
5	28 7/32
6	34 37/64
7	19 3/8
8	23 15/32
9	14
10	16 1/8
11	10 27/64

TOLERANCES
UNLESS OTHERWISE
SPECIFIED

INCHES
XX. ± .010
XXX. ± .005

FRACTIONAL
X/X. ± 1/64

ANGULAR
∠ ± 1/2°

UNLESS OTHERWISE
SPECIFIED ALL
DIMENSIONS ARE IN
INCHES. METRIC
DIMENSIONS WILL BE
WITHIN [XX]

Hallowell

www.Hallowell-List.com

2823 W. ORANGE AVE.
APOPKA, FLORIDA 32703

Tel (866) 566-0500
Fax (407) 464-3610

DRAWN BY	DATE	DESCRIPTION	SCALE	SHEET	PART NO.	DRAWING NO.	REV.
ROW	12/18/14			2 OF 3	SEE TABLE	SA1689	
CHECKED BY	DATE						
APPROVED BY	DATE						

REEL RACK ASSEMBLY
INSTRUCTION

SECOND HOLE FROM TOP

TOP HOLE

ASSEMBLE GUSSETS TO POSTS
2 GUSSETS, 1 ON INSIDE AND
1 ON THE OUT OF THE FRAME

INSERT POST ONTO
FOOT PLATE AND
BOLT TOGETHER

STEP 1

SMALL END OF KEY SLOT MUST
FACE DOWN ON BOTH POST

STEP 2
BRACE PLACEMENT

FOR 10' TALL RACK

ITEM NO.	LENGTH
1	122 3/4
4	17 1/8
5	27 29/32
6	34 37/64
7	19 3/8
8	23 15/32
9	15 9/16
10	16 1/8
11	10 27/64
22	

29th HOLE
FROM BOTTOM

28th HOLE
FROM BOTTOM

22nd HOLE
FROM BOTTOM

21st HOLE
FROM BOTTOM

15th HOLE
FROM BOTTOM

14th HOLE
FROM BOTTOM

ALL DIAGONAL BRACES
ON INSIDE OF FRAME

ALL HORIZONTAL BRACES
ON OUTSIDE OF FRAME

5th HOLE
FROM BOTTOM

TOLERANCES
UNLESS OTHERWISE
SPECIFIED

INCHES
XX. ± .010
XXX. ± .005

FRACTIONAL
X/X. ± 1/64

ANGULAR
∠ ± 1/2°

UNLESS OTHERWISE
SPECIFIED ALL
DIMENSIONS ARE IN
INCHES. METRIC
DIMENSIONS WILL BE
WITHIN [XX]

2823 W. ORANGE AVE.
APOPKA, FLORIDA 32703

Tel (866) 566-0500
Fax (407) 464-3610

Hallowell

www.Hallowell-List.com

DRAWN BY **ROW** DATE **12/18/14**

CHECKED BY DATE

APPROVED BY DATE

DESCRIPTION

**REEL RACK ASSEMBLY
INSTRUCTION**

SCALE SHEET PART NO. DRAWING NO. REV.

3 OF 3 SEE TABLE SA1689