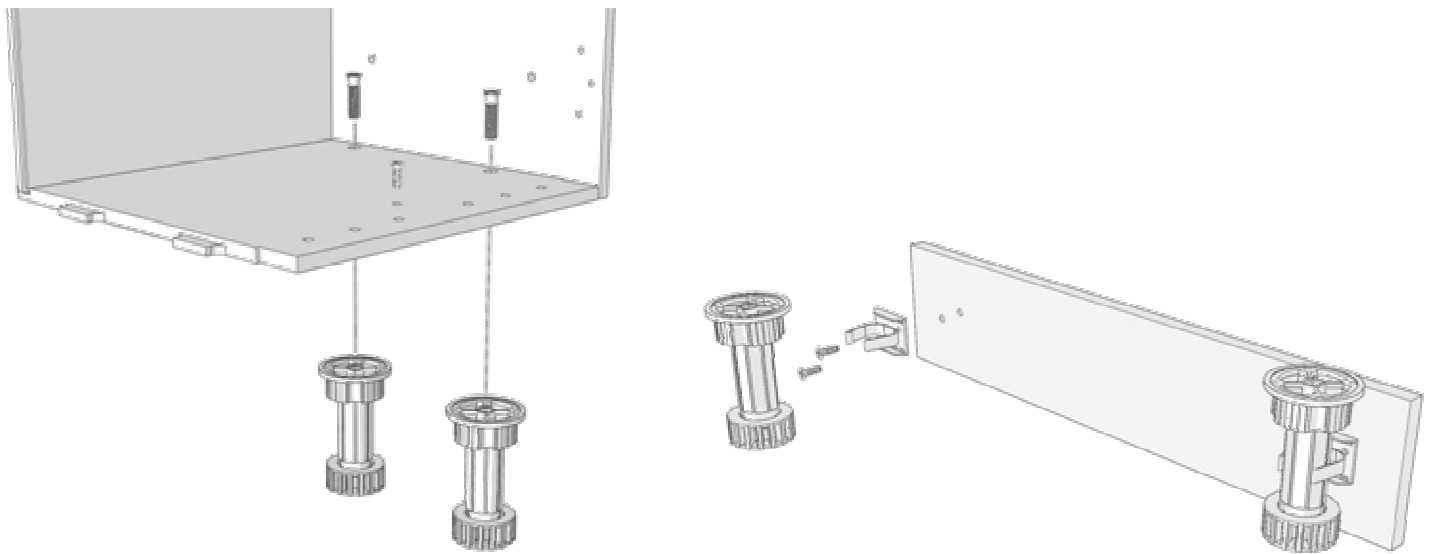
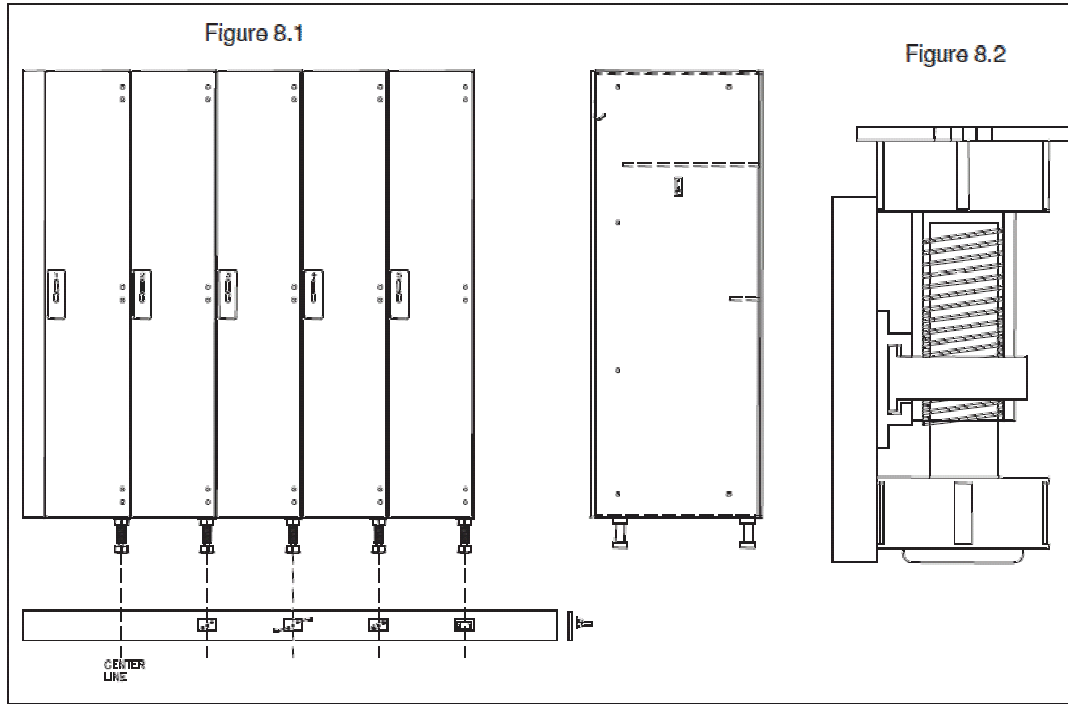


Our adjustable base system with toe kick consists of an adjustable ABS plastic leg leveler with the addition of a color matched(locker door color) toe kick strip(1/2" thick). This system provides a waterproof and visually appealing alternative to other base options such as wood or block base. The system is easy to install and easy to adjust to keep the locker installation level when the floor slopes or is un-level.



CAUTION: IN THE INTEREST OF SAFETY, ALL LOCKERS AND SHELVING MUST BE SECURELY ANCHORED TO THE FLOOR AND/OR WALL.

THIS DRAWING AND THE INFORMATION ON IT IS THE CONFIDENTIAL PROPERTY OF HALLOWELL, INC. AND SHALL NOT BE COPIED OR DISCLOSED TO OTHERS WITHOUT WRITTEN PERMISSION. ONLY HALLOWELL, INC. RESERVES THE RIGHT TO ALTER ANY DESIGN. ANY UNAUTHORIZED MODIFICATIONS RELEASES HALLOWELL, INC. FROM ALL LIABILITIES.

Customer:	Drawn By: JFA	Checked By:	Date: 08.25.2017	Scale: NONE
Customer Order Number:	Acad Number:		Sheet 1 Of 1	Revision:
Description: ADJUSTABLE BASE SYSTEM WITH TOE KICK	Drawing Number:			