

THREE TIER PHENOLIC	QTY ___
W:	12"
D:	12"
H:	72"

Interior Color: WHITE
 Exterior Color: TO BE DETERMINED
 Material: STD. PHENOLIC

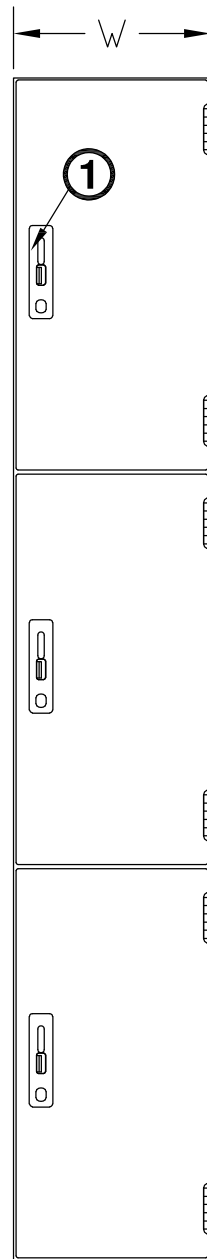
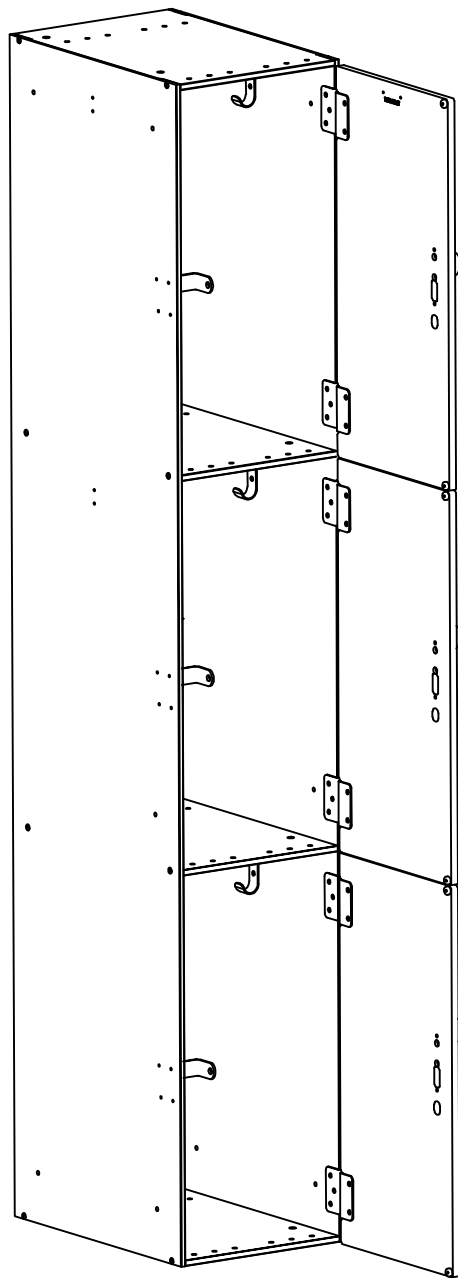
- ① LOCK TYPE: HASP
- ② HINGE TYPE: 5 KNUCKLE
- ③ FULL SHELF QTY. 2
- ④ VANITY: N/A
- ⑤ COAT HOOK(S): QTY. 6

Additional Options:

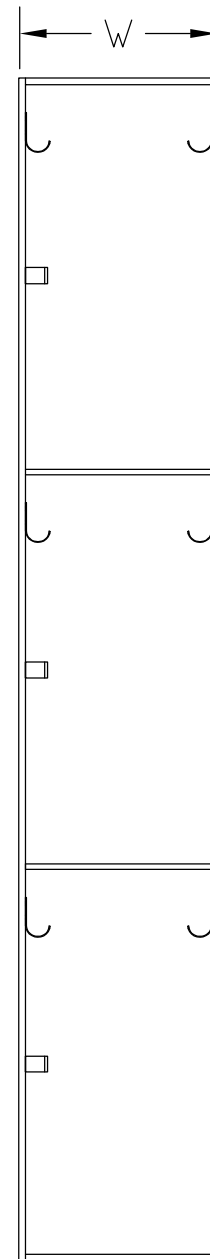
Notes:

MATERIAL THICKNESS

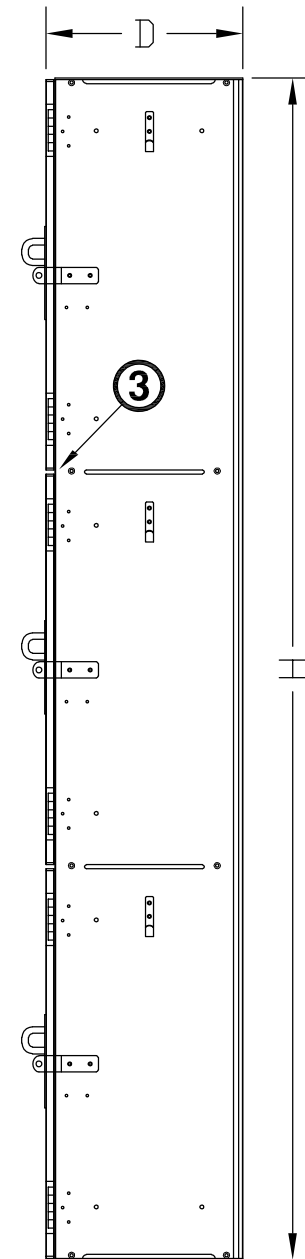
Tops/Bottoms/Shelves:	3/8"
Back/Sides Panel:	5/16"
Doors:	1/2"



FRONT VIEW

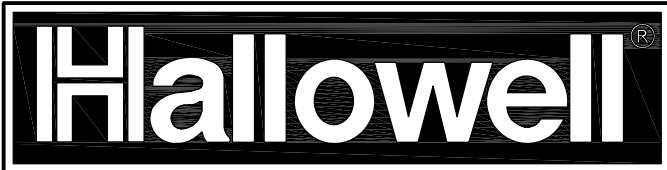


FRONT VIEW
DOORS REMOVED



SIDE VIEW

**FOR SUBMITTAL
 USE ONLY**
 SUBJECT TO APPROVAL



THIS DRAWING AND THE INFORMATION ON IT IS THE CONFIDENTIAL PROPERTY OF HALLOWELL, INC. AND SHALL NOT BE COPIED OR DISCLOSED TO OTHERS WITHOUT WRITTEN PERMISSION. ONLY HALLOWELL, INC. RESERVES THE RIGHT TO ALTER ANY DESIGN. ANY UNAUTHORIZED MODIFICATIONS RELEASES HALLOWELL, INC. FROM ALL LIABILITIES.

TOLERANCES UNLESS SPECIFIED:
 FRACTIONS: ±1/32 DECIMALS: ±.010 DEGREES: ±1°

Customer: GRAINGER
Customer Order Number:
Description:

Drawn By: JFA	Checked By:	Date: 04.25.2019	Scale: NONE
Acad Number:	Sheet 1 Of 1		Revision:
Drawing Number:			