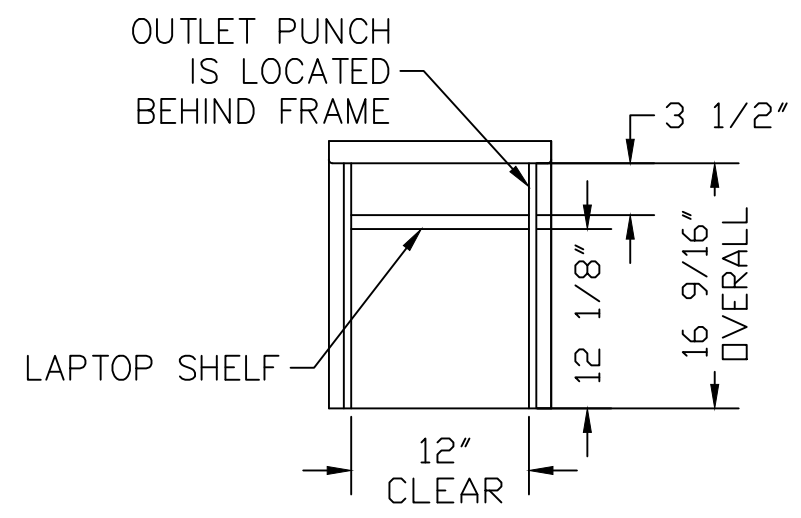
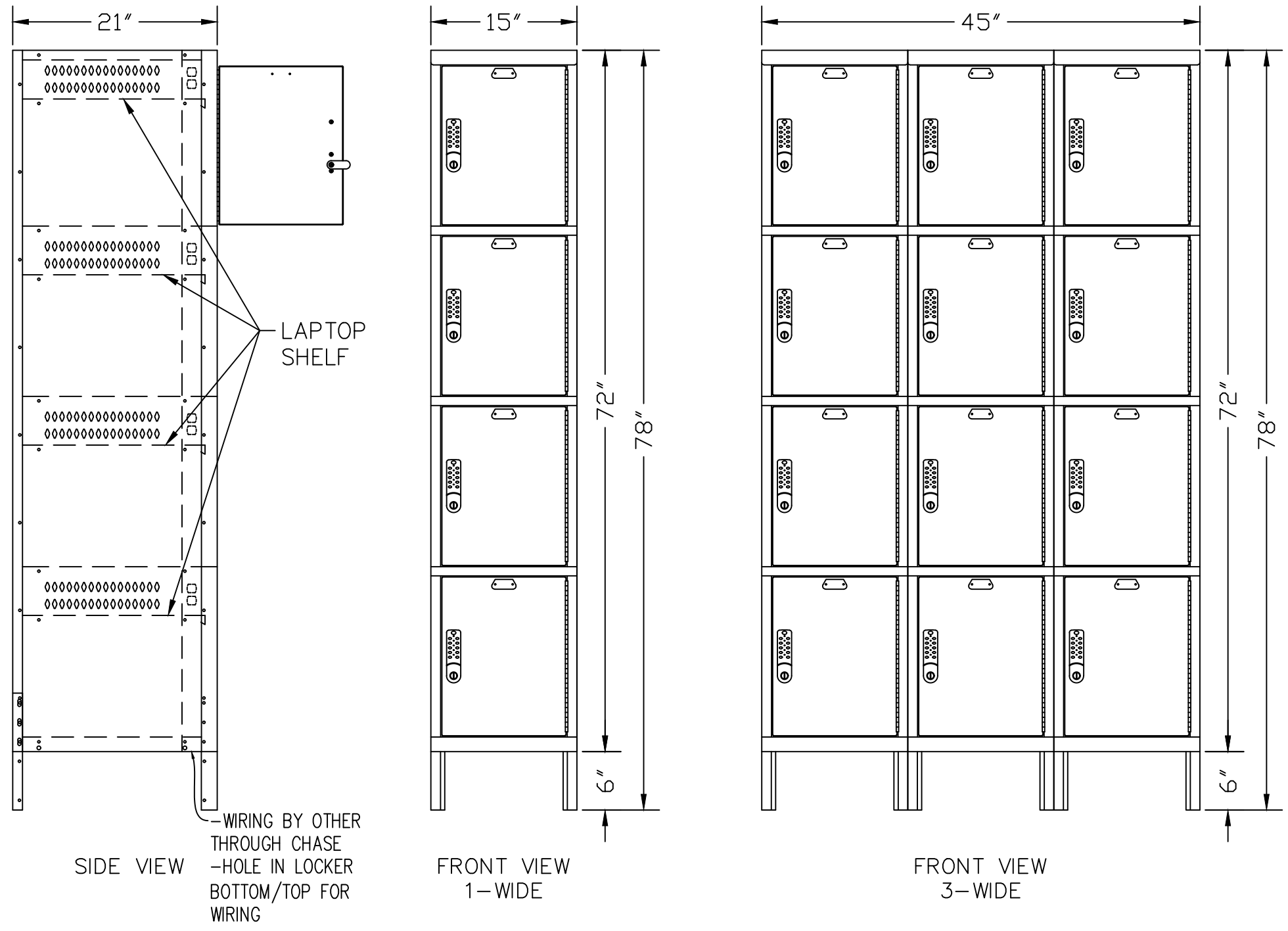


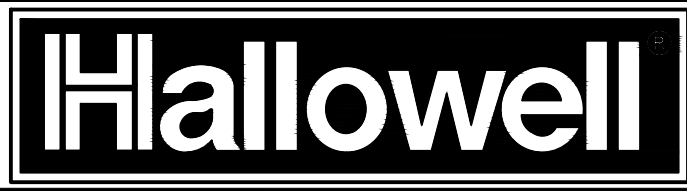
LIST "LAPTOP/BACKPACK" K.D. FOUR TIER LOCKER (PRODUCT No. UELBP1518-4A-PL) (1-WIDE)
 LIST "LAPTOP/BACKPACK" K.D. FOUR TIER LOCKER (PRODUCT No. UELBP3518-4A-PL) (3-WIDE)

HALLOWELL LAPTOP/BACKPACK "KD" LOCKER SPECIFICATION			
COMPONENT	GAUGE	MATERIAL	REMARKS
DOORS	14	COLD ROLLED STEEL	3" LOUVERS
FRAMES	16	COLD ROLLED STEEL	SOLID
TOPS	16	COLD ROLLED STEEL	SOLID
BOTTOMS	16	COLD ROLLED STEEL	SOLID
SHELVES	16	COLD ROLLED STEEL	SOLID
SIDES	16	COLD ROLLED STEEL	DIAMOND PERFORATED
BACKS	18	COLD ROLLED STEEL	SOLID
HANDLE			DIGITAL LOCK W/ ROTATING DOOR PULL
HINGE	16	COLD ROLLED STEEL	CONTINUOUS PIANO TYPE
BODY COMPONENT COLOR			711 LIGHT GRAY

* WITH NEW HALLOWELL H1 DIGITAL LOCK



**FOR SUBMITTAL
 USE ONLY
 SUBJECT TO APPROVAL**



CAUTION: IN THE INTEREST OF SAFETY, ALL LOCKERS AND SHELVING MUST BE SECURELY ANCHORED TO THE FLOOR AND/OR WALL.
 THIS DRAWING AND THE INFORMATION ON IT IS THE CONFIDENTIAL PROPERTY OF HALLOWELL, INC. AND SHALL NOT BE COPIED OR DISCLOSED TO OTHERS WITHOUT WRITTEN PERMISSION. ONLY HALLOWELL, INC. RESERVES THE RIGHT TO ALTER ANY DESIGN. ANY UNAUTHORIZED MODIFICATIONS RELEASES HALLOWELL, INC. FROM ALL LIABILITIES.

Customer: _____
 Customer Quote Number: _____
 Description: _____

Drawn By:	Checked By:	Date:	Scale: NONE
Acad Number:	Sheet	Of	Revision:
Drawing Number:			