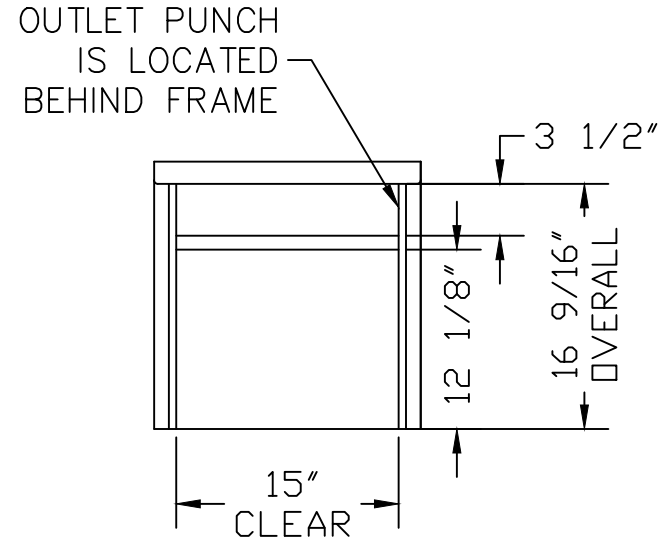
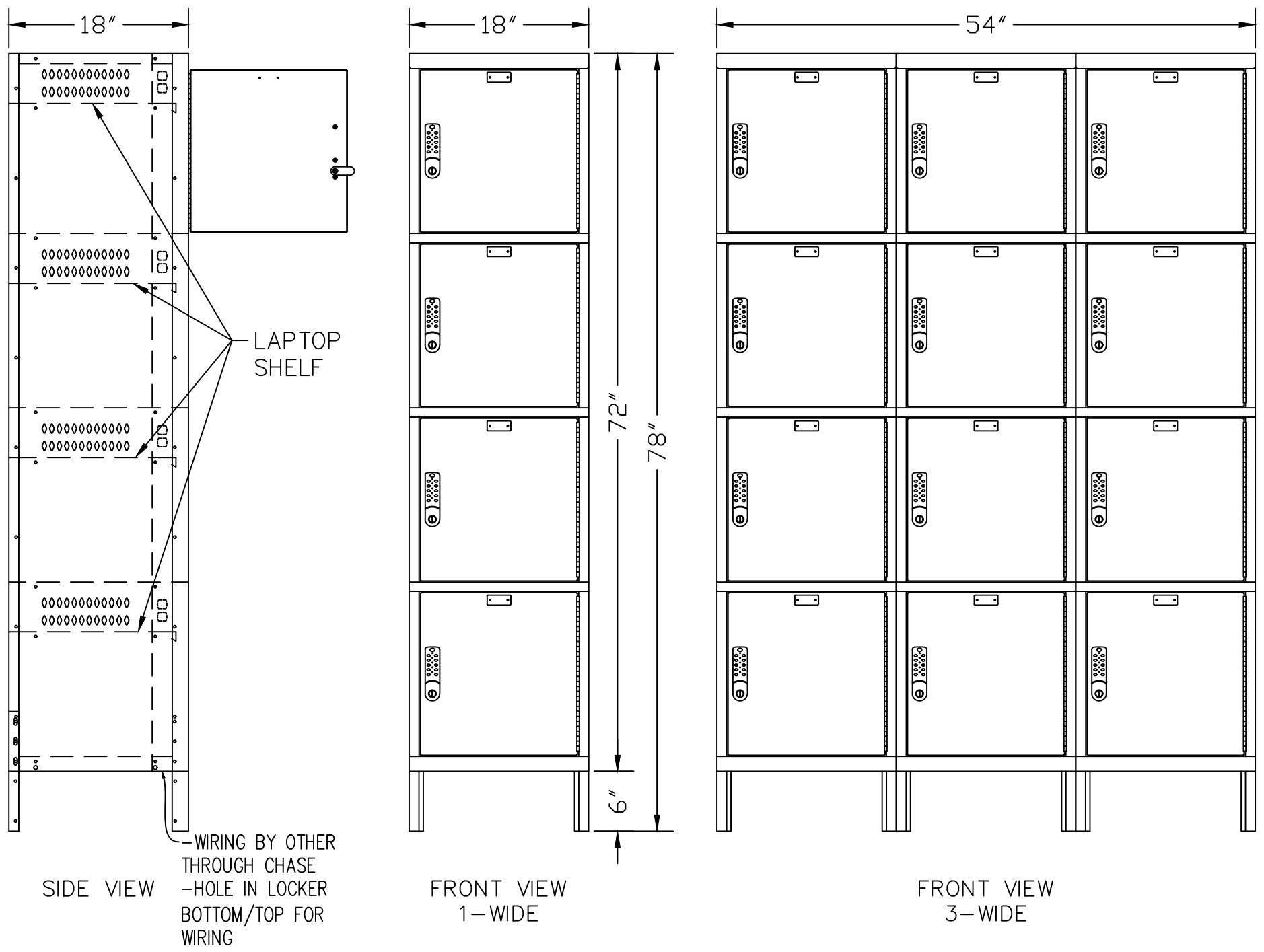


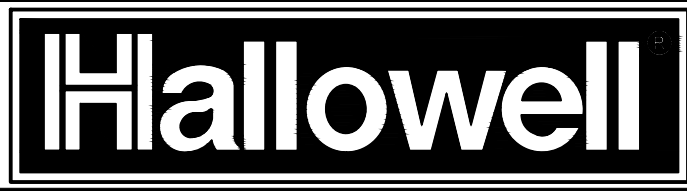
HALLOWELL "LAPTOP/BACKPACK" K.D. FOUR TIER LOCKER (PRODUCT No. UELBP1888-4A-PL) (1-WIDE)  
 HALLOWELL "LAPTOP/BACKPACK" K.D. FOUR TIER LOCKER (PRODUCT No. UELBP3888-4A-PL) (3-WIDE)

HALLOWELL LAPTOP/BACKPACK "KD" LOCKER SPECIFICATION			
COMPONENT	GAUGE	MATERIAL	REMARKS
DOORS	14	COLD ROLLED STEEL	3' LOUVERS
FRAMES	16	COLD ROLLED STEEL	SOLID
TOPS	16	COLD ROLLED STEEL	SOLID
BOTTOMS	16	COLD ROLLED STEEL	SOLID
SHELVES	16	COLD ROLLED STEEL	SOLID
SIDES	16	COLD ROLLED STEEL	DIAMOND PERFORATED
BACKS	18	COLD ROLLED STEEL	SOLID
HANDLE			DIGITAL LOCK W/ ROTATING DOOR PULL
HINGE	16	COLD ROLLED STEEL	CONTINUOUS PIANO TYPE
BODY COMPONENT COLOR			711 LIGHT GRAY

\* WITH NEW HALLOWELL H1 DIGITAL LOCK



**FOR SUBMITTAL  
 USE ONLY  
 SUBJECT TO APPROVAL**



**CAUTION:** IN THE INTEREST OF SAFETY, ALL LOCKERS AND SHELVING MUST BE SECURELY ANCHORED TO THE FLOOR AND/OR WALL.

THIS DRAWING AND THE INFORMATION ON IT IS THE CONFIDENTIAL PROPERTY OF HALLOWELL, INC. AND SHALL NOT BE COPIED OR DISCLOSED TO OTHERS WITHOUT WRITTEN PERMISSION. ONLY HALLOWELL, INC. RESERVES THE RIGHT TO ALTER ANY DESIGN. ANY UNAUTHORIZED MODIFICATIONS RELEASES HALLOWELL, INC. FROM ALL LIABILITIES.

Customer: \_\_\_\_\_

Customer Quote Number: \_\_\_\_\_

Description: \_\_\_\_\_

Drawn By: _____	Checked By: _____	Date: _____	Scale: NONE
Acad Number: _____	Sheet _____	Of _____	Revision: _____
Drawing Number: _____			