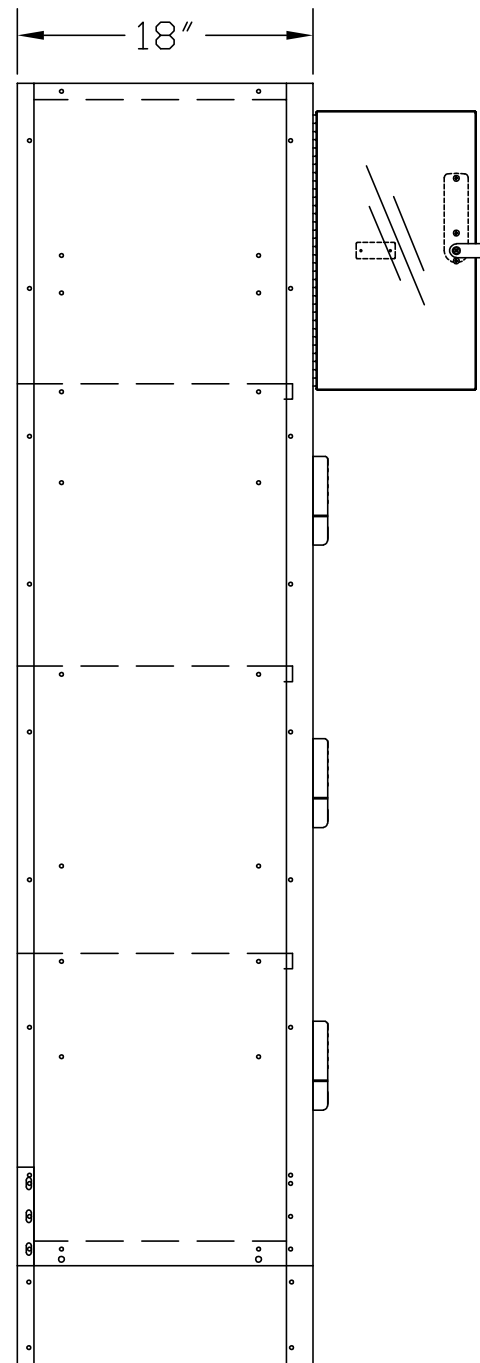


HALLOWELL "DIGITECH SVP" K.D. FOUR TIER BOX LOCKER (PRODUCT NO. UESVP1288-4) (1-WIDE)

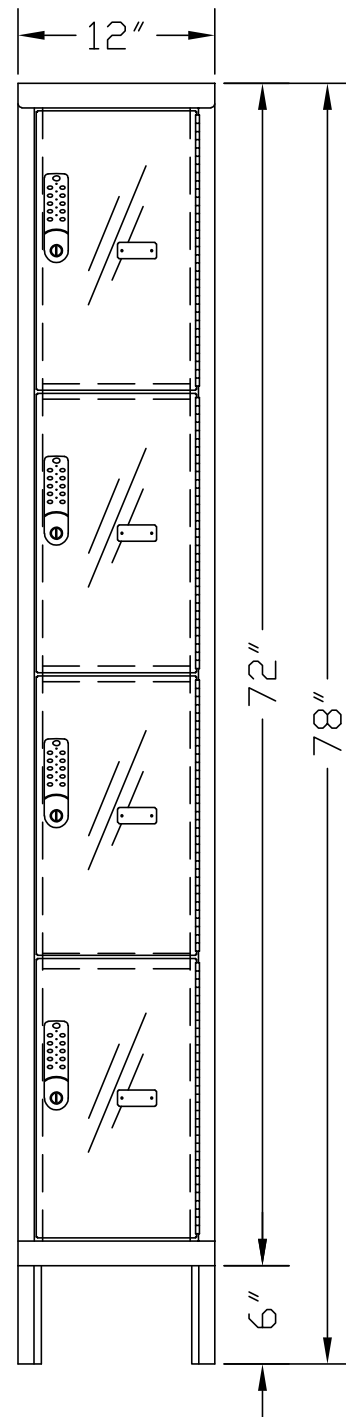
HALLOWELL DIGITECH SVP "KD" BOX LOCKER SPECIFICATION

COMPONENT	GAUGE	MATERIAL	REMARKS
DOORS *	18	POLYCARBONATE	* CLEAR DOORS - PREPARED FOR HDL
FRAMES	16	COLD ROLLED STEEL	SOLID
TOPS	24	COLD ROLLED STEEL	SOLID
BOTTOMS	24	COLD ROLLED STEEL	SOLID
SHELVES	24	COLD ROLLED STEEL	SOLID
SIDES	24	COLD ROLLED STEEL	SOLID
BACKS	24	COLD ROLLED STEEL	SOLID
HANDLE *			* HALLOWELL DIGITAL LOCK
HINGE	16	COLD ROLLED STEEL	CONTINUOUS PIANO TYPE
BODY COMPONENT COLOR			729 PARCHMENT

LATCHING: (BOX DOOR) SINGLE POINT FRICTION CATCH WITH DOOR PULL. DOOR WILL ACCEPT BUILT-IN LOCK OR PADLOCK.

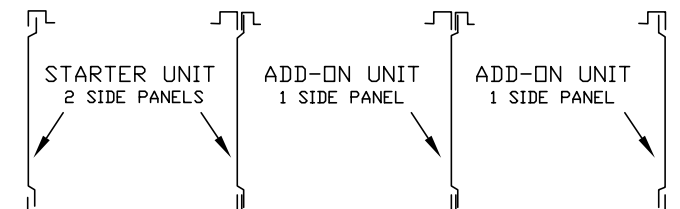


SIDE VIEW

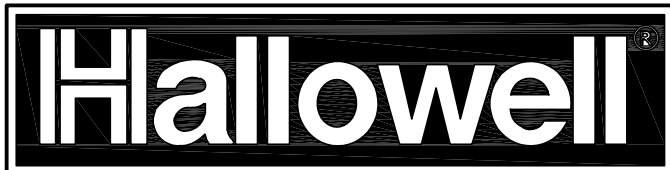


FRONT VIEW

**FOR SUBMITTAL
USE ONLY**
SUBJECT TO APPROVAL



STARTER / ADD-ON LAYOUT
SCALE: NONE



CAUTION: IN THE INTEREST OF SAFETY, ALL LOCKERS AND SHELVING MUST BE SECURELY ANCHORED TO THE FLOOR AND/OR WALL.

THIS DRAWING AND THE INFORMATION ON IT IS THE CONFIDENTIAL PROPERTY OF HALLOWELL, INC. AND SHALL NOT BE COPIED OR DISCLOSED TO OTHERS WITHOUT WRITTEN PERMISSION. ONLY HALLOWELL, INC. RESERVES THE RIGHT TO ALTER ANY DESIGN. ANY UNAUTHORIZED MODIFICATIONS RELEASES HALLOWELL, INC. FROM ALL LIABILITIES.

Customer:

Customer Order Number:

Description:

Drawn By:
JFA

Checked By:

Date:
10.20.2016

Scale:
NONE

Acad Number:

Sheet 1 Of 1

Revision:

Drawing Number: